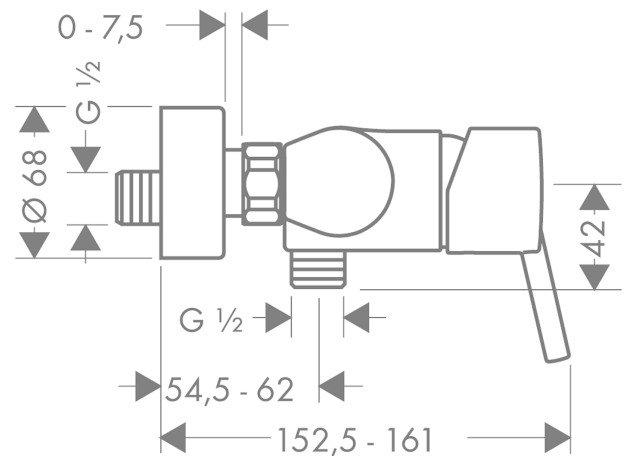


**Talis S****Single lever shower mixer for exposed installation**Surfaces: **Chrome** Article Number: **32620000****Description****product features**

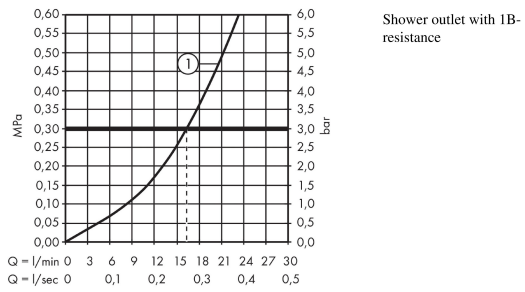
- 1 outlet
- connection type: s-shaped connections
- centre distance:  $150 \pm 12$  mm
- flow rate of hand shower at 3 bar: 16 l/min
- ceramic cartridge
- min. operating pressure: 1 bar
- max. operating pressure: 10 bar
- temperature limitation adjustable
- non-return valve
- with silencer
- hose connection DN15
- connection dimension: DN15
- PA-IX 9361/IB
- DVGW NW-6506BS5027
- ETA VA 1.42/18603
- ACS 17 ACC LY 154, valide jusqu'au 05.05.2021
- WRAS 1807038
- WRAS 1807038
- Kiwa K6161\_Mechanical Mixers EN817
- SVGW 0408-4866
- SINTEF 1433

**Product image****Scale drawing**

**Talis S**  
**Single lever shower mixer for exposed installation**  
 Surfaces: **Chrome** Article Number: **32620000**



**Flowchart**

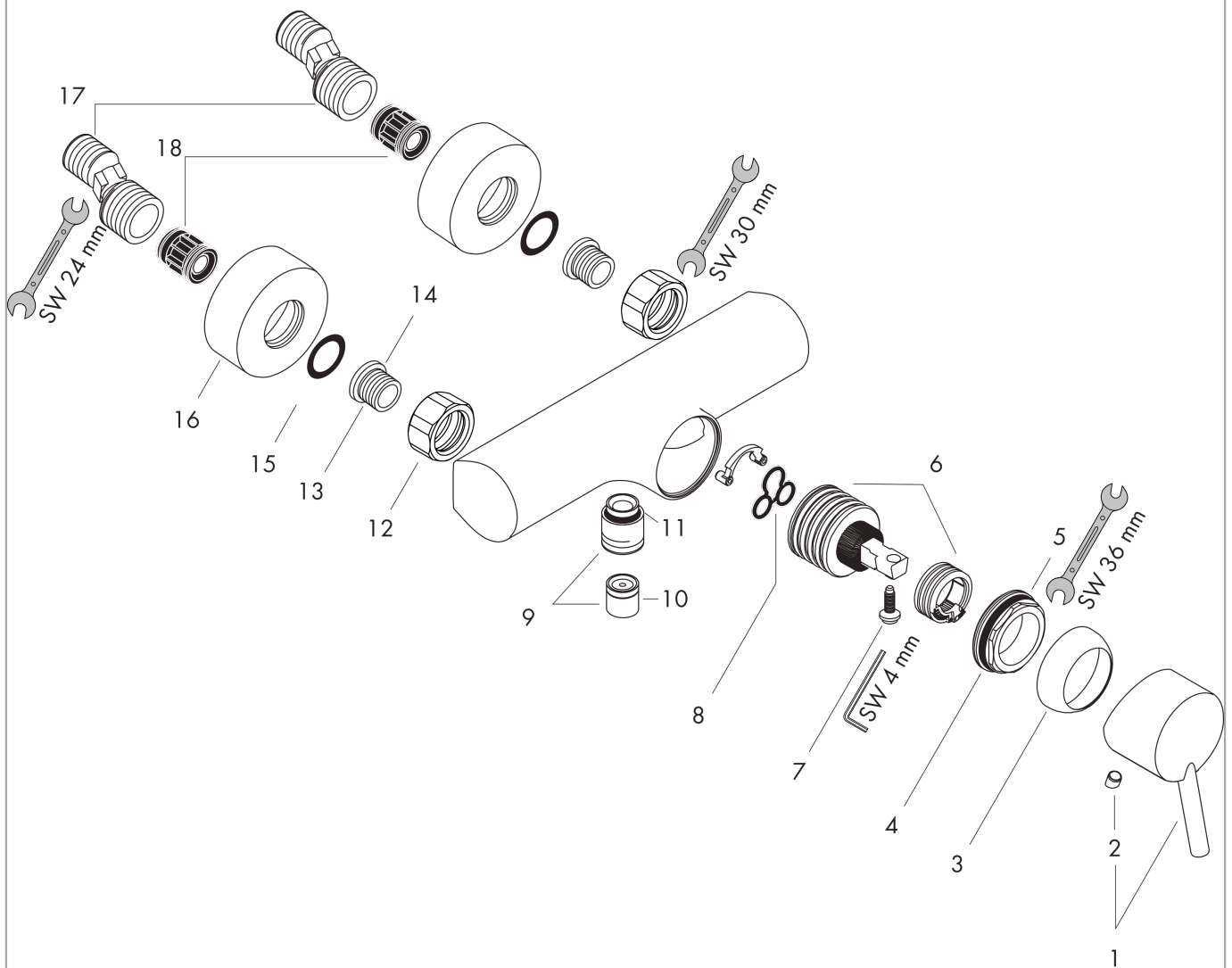


**Talis S**  
**Single lever shower mixer for exposed installation**  
 Surfaces: **Chrome** Article Number: **32620000**



**Exploded Drawing**

Year of production: >05/09



## Talis S

### Single lever shower mixer for exposed installation

Surfaces: **Chrome** Article Number: **32620000**



#### Spare part list

Year of production: >05/09

Pos.	Description	Article Number	PC	PU
1	handle	32092000	11	1
2	screw cover	96338000	1	1
3	flange	96656000	2	1
4	nut	96690000	4	1
5	O-ring 36x2	98156000	1	1
6	cartridge, assy	92730000	11	1
7	locking screw for handle	95140000	2	1
8	seal	95008000	3	1
9	Hose Connection	96044000	7	1
10	set of non return valves DW 15	94074000	5	1
11	O-ring 14x2	98129000	1	1
12	set of nuts	96157000	8	1
13	connecting thread	97220000	5	1
14	O-ring 15x2	98163000	1	1
15	filter packing	96922000	3	1
16	escutcheon Ø 68 mm	96467000	6	1
17	set of S-unions (±12 mm)	94140000	10	1
18	noise reduction	96429000	2	1
a	set of S-unions (±32 mm)	98592000	9	1